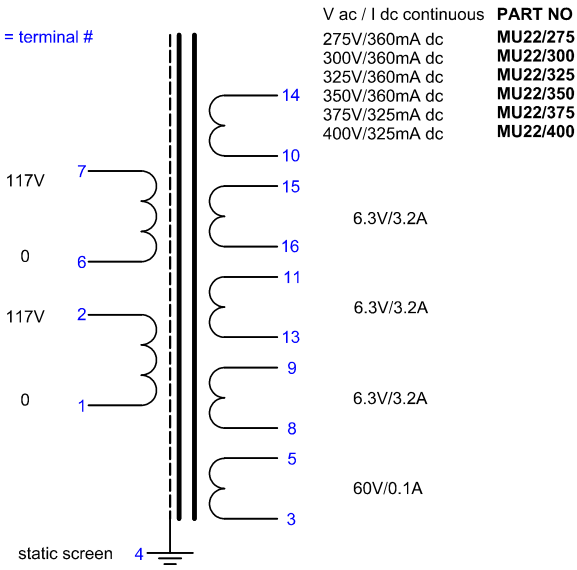


## universal power transformer MU22/...

Primary 2x 117V 50/60Hz

for 115-120V operation : connect 1 to 6 and 2 to 7  
for 230-240V operation : connect 2 to 6

blue = terminal #



### windings

Primary 2x 117V parallel connected for 115-120V operation  
series connected for 230-240V operation  
w. electrostatic screen

3x heater winding of 6.3V / 3.2 A ac  
1x bias winding 60V/0.1A  
1x HT winding in the range of 275V to 400V / 360mA dc

**The 3 last digits of the type nr determine the voltage of the HT winding  
example : transformer w. 350 V HT winding has part no MU22/350**

### application

The MU22/... series has been designed to cover the power supply requirements of parallel or stereo triode SE amplifiers and 2-4 power tube push pull amplifiers.

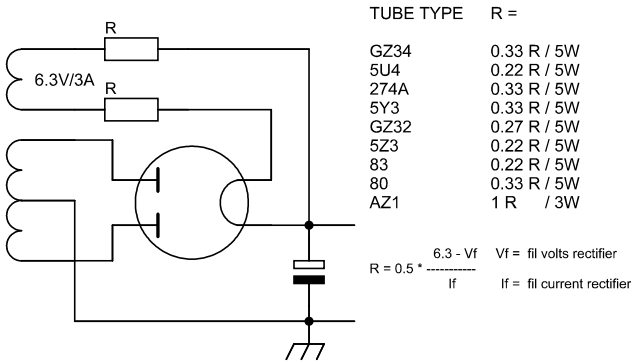
300B / 300B XLS parallel SE and stereo SE amplifiers  
300B, KT88, 807 single/parallel push pull amplifiers  
etc.

### dimensions and weight

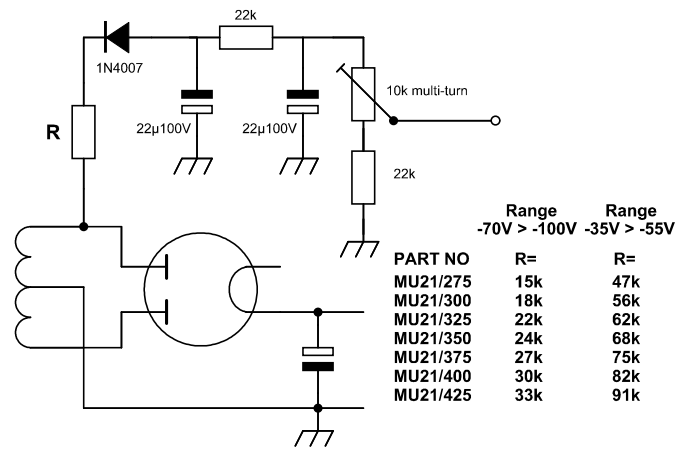
outside dim.case 132 x 109mm / height 131mm (CASE-2)  
approx weight 6 kg

mounting centers 100 x 90 mm drill holes dia 6 mm  
center terminal area diameter 60 mm

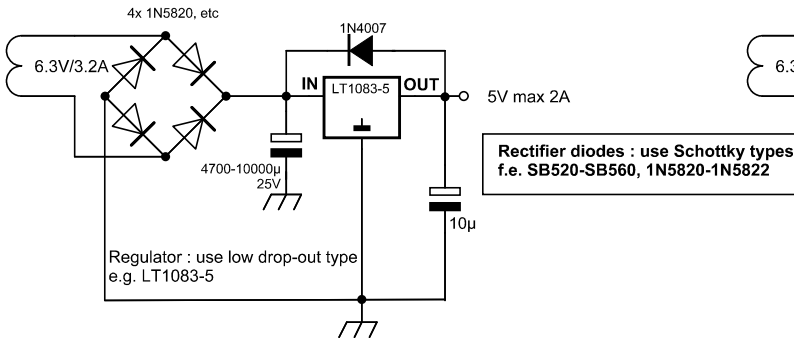
### using a 6.3V/3.2A winding to power any rectifier



### Bias voltage supply derived from a center tap HT winding



### regulated fixed 5V supply (300B, 300B XLS, etc)



### adjustable regulated 0-6.4V supply (AD1, PX4, PX25, 6B4, etc)

