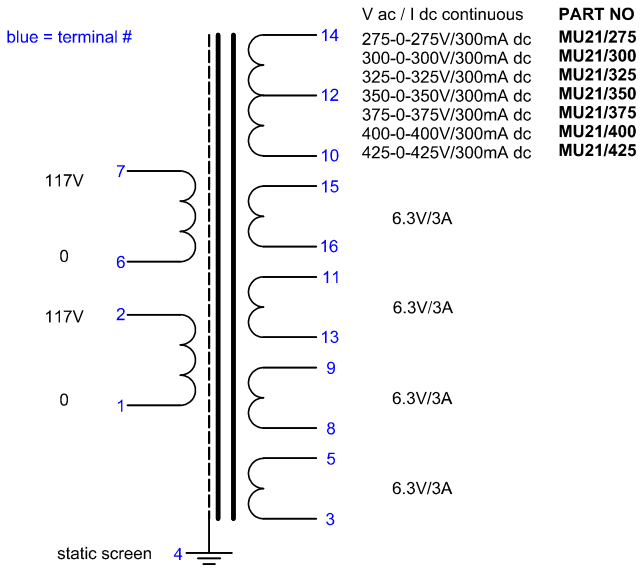


universal power transformer MU21/...

Primary 2x 117V 50/60Hz

for 115-120V operation : connect 1 to 6 and 2 to 7
for 230-240V operation : connect 2 to 6



windings

Primary 2x 117V parallel connected for 115-120V operation
series connected for 230-240V operation
w. electrostatic screen

4x heater winding of 6.3V / 3 A ac
1x HT winding in the range of 250-0-250V to 400-0-400V / 300mA dc

The 3 last digits of the type nr determine the voltage of the HT winding
example : transformer w. 350-0-350 V HT winding has part no MU21/350

application

The MU21/... series has been designed to cover the power supply requirements of parallel triode SE amplifier and 2-power tube push pull amplifiers requiring a center tap power supply for tube rectification.

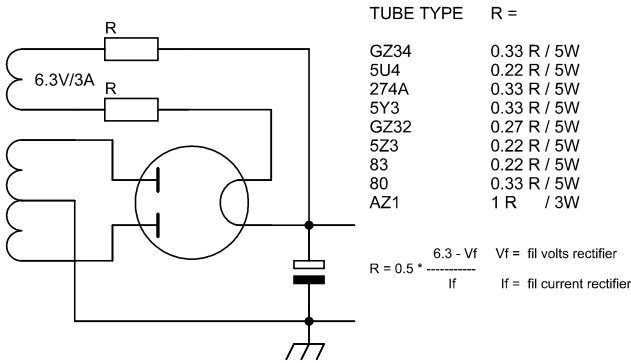
300B / 300B XLS parallel SE amplifiers
300B, KT88, 807 push pull amplifiers etc.

dimensions and weight

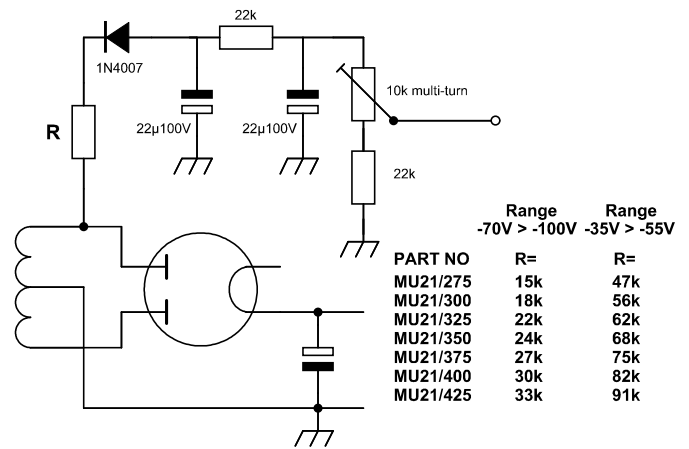
outside dim.case 132 x 109mm / height 131mm (CASE-2)
approx weight 6 kg

mounting centers 100 x 90 mm drill holes dia 6 mm
center terminal area diameter 60 mm

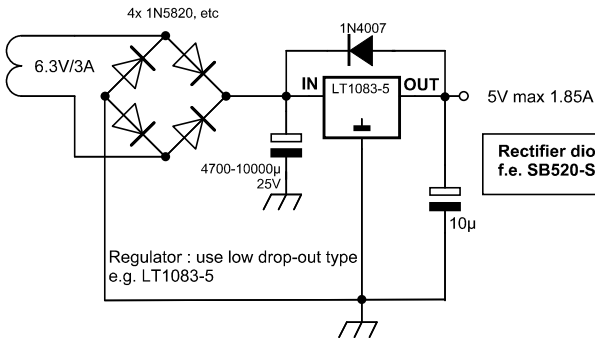
using a 6.3V/3A winding to power any rectifier



Bias voltage supply derived from a center tap HT winding



regulated fixed 5V supply (300B, 300B XLS, etc)



adjustable regulated 0-6.4V supply (AD1, PX4, 6B4, etc)

