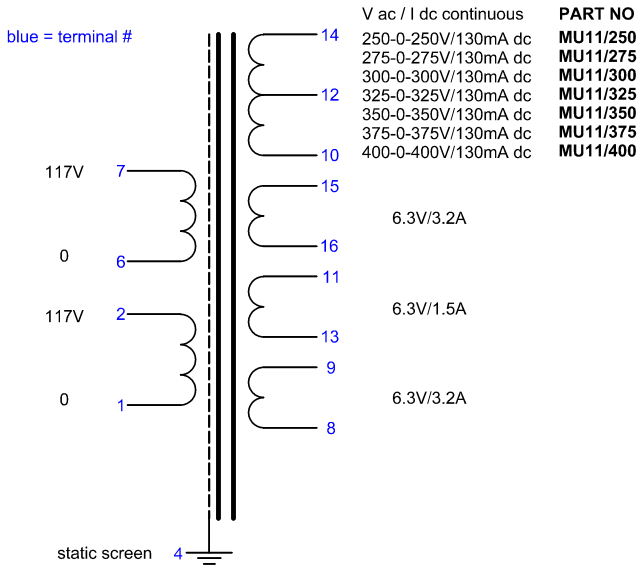


universal power transformer MU11/...

Primary 2x 117V 50/60Hz

for 115-120V operation : connect 1 to 6 and 2 to 7
for 230-240V operation : connect 2 to 6



windings

Primary 2x 117V parallel connected for 115-120V operation
series connected for 230-240V operation
w. electrostatic screen

2x heater winding of 6.3V / 3.2A ac
1x heater winding of 6.3V / 1.5 A ac
1x HT winding in the range of 250-0-250V to 400-0-400V / 130mA dc

**The 3 last digits of the type nr determine the voltage of the HT winding
example : transformer w. 350-0-350 V HT winding has part no MU11/350**

application

The MU11/... series has been designed to cover the power supply requirements of triode SE amplifier and low power 2-power tube push pull amplifiers requiring a center tap power supply for tube rectification :

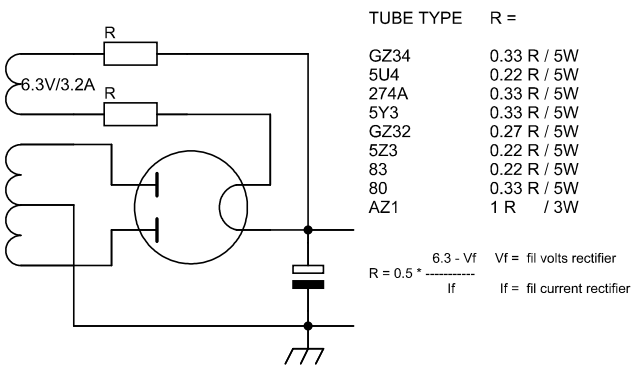
300B / 300B XLS SE amplifiers
EL84, 2A3 push pull amplifiers
etc.

dimensions and weight

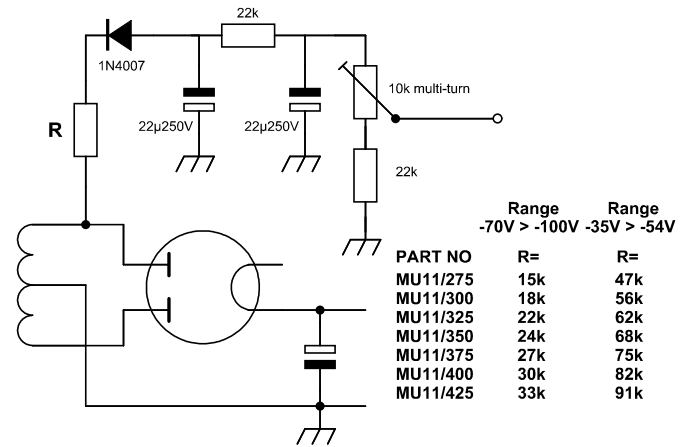
outside dim.case 108 x 89mm / height 107mm (CASE-1)
approx weight 4 kg

mounting centers 64 x 80 mm drill holes dia 6 mm
center terminal area diameter 60 mm

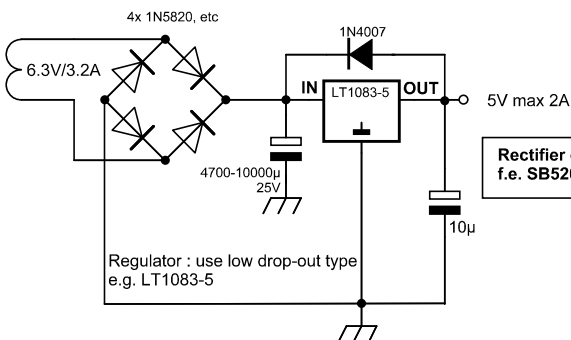
How to use the 6.3V/3.2A winding to supply any rectifier tube



How to derive a bias voltage supply from a center tap HT winding



regulated fixed 5V supply (300B, 300B XLS, etc)



adjustable regulated 0-6.4V supply (AD1, PX4, 6B4, etc)

